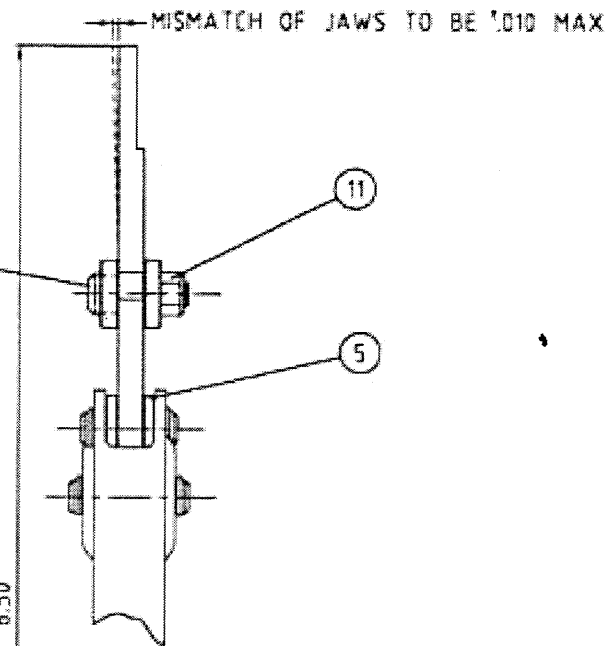
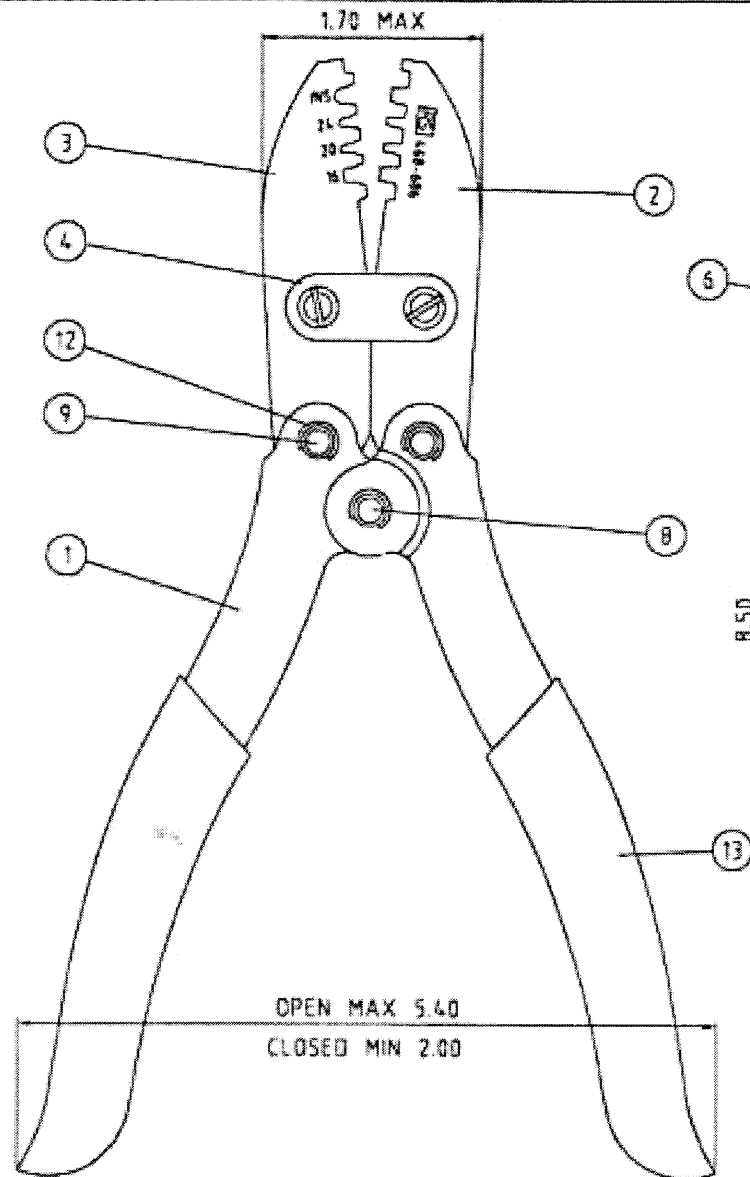


CRIMP HEIGHTS  
SCALE 5:1



2	13	SLEEVES
6	12	CIRCLIP
2	11	2BA LOCKNUT
1	10	TORSION SPRING
2	9	PIN No. 2
1	8	PIN No. 1
1	7	PIVOT PIN
2	6	2BA SCREW
4	5	SPACER
2	4	LINK
1	3	FEMALE JAW
1	2	MALE JAW
2	1	HANDLE
AMTSYM		NAME

MATERIAL				MAUN INDUSTRIES LTD			
HEAT TREATMENT				DESCRIPTION			
GENERAL TOLERANCES				SCALE	DATE	ASSEMBLY	
IMPERIAL DIMS		ANGLES :0°30'		1:1	28-02-94	MULTIPOLE CRIMP TOOL	
METRIC DIMS		2 PL DEC :0.25		DIMS	DRN	FILE	PART
3 PL DEC :0.002		1 PL DEC :0.25		INCH	PRL	No. 699.DWG	No. 468686.0000
FRACTIONS :0.015		INTEGER :0.40					
OF REVISION							